

CM-RI-01B CM-RI-02B

Addressable Module

ISO9001

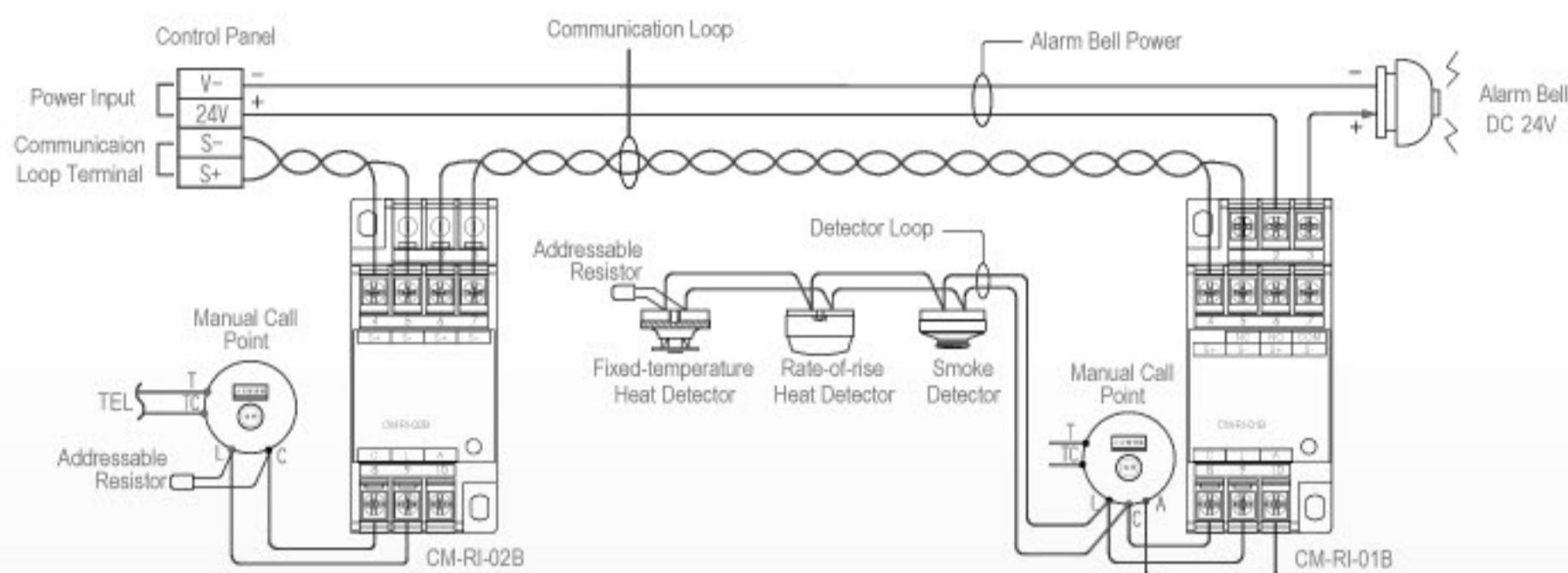
Approvals: CE



ADVANTAGES

- * Two-wire communication
- * Two types only: built in input or input/output relay can apply for all devices
- * Stable communications, noise/interference resistant
- * Monitoring loops of addressable module do not need voltage for connecting with conventional detectors
- * Three-color LED indicator : monitoring, alarm, broken circuit
- * Quick-install base design for improvement of installation efficiency

STRUCTURE



SPECIFICATION

MODEL NO.	CM-RI-01B	CM-RI-02B
FUNCTION	1 input/ 1output	1 input
RELAY OUTPUT	Control output both NO, NC connections, MAX. capacity: 2A/DC30V	
POWER CONSUMPTION	DC24V, MAX. 18mA in operation	
COMMUNICATION LOOP	Fully two-wire multiplexing transmission, Internal resistance of communication cable < 12Ω, PE insulation wrapping of 500V communication cable > 2MΩ	
SUPERVISE LOOP	DC16V~24V, max. output 1mA/DC24V supplied by communication power; no extra power for relays;capable of receiving differential, heat, smoke, and other electronic detectors	
TERMINAL	Addressable resistor	
STATUS INDICATION	Monitoring: Green LED blinking Alarm: Red LED blinking Broken circuit: Orange LED blinking	
TEMPERATURE / RH	0°C ~50°C, less 95% RH, non-condensing	
DIMENTION	35×80×35mm (W×H×D)	
MATERIAL	Fire-proof plastic	