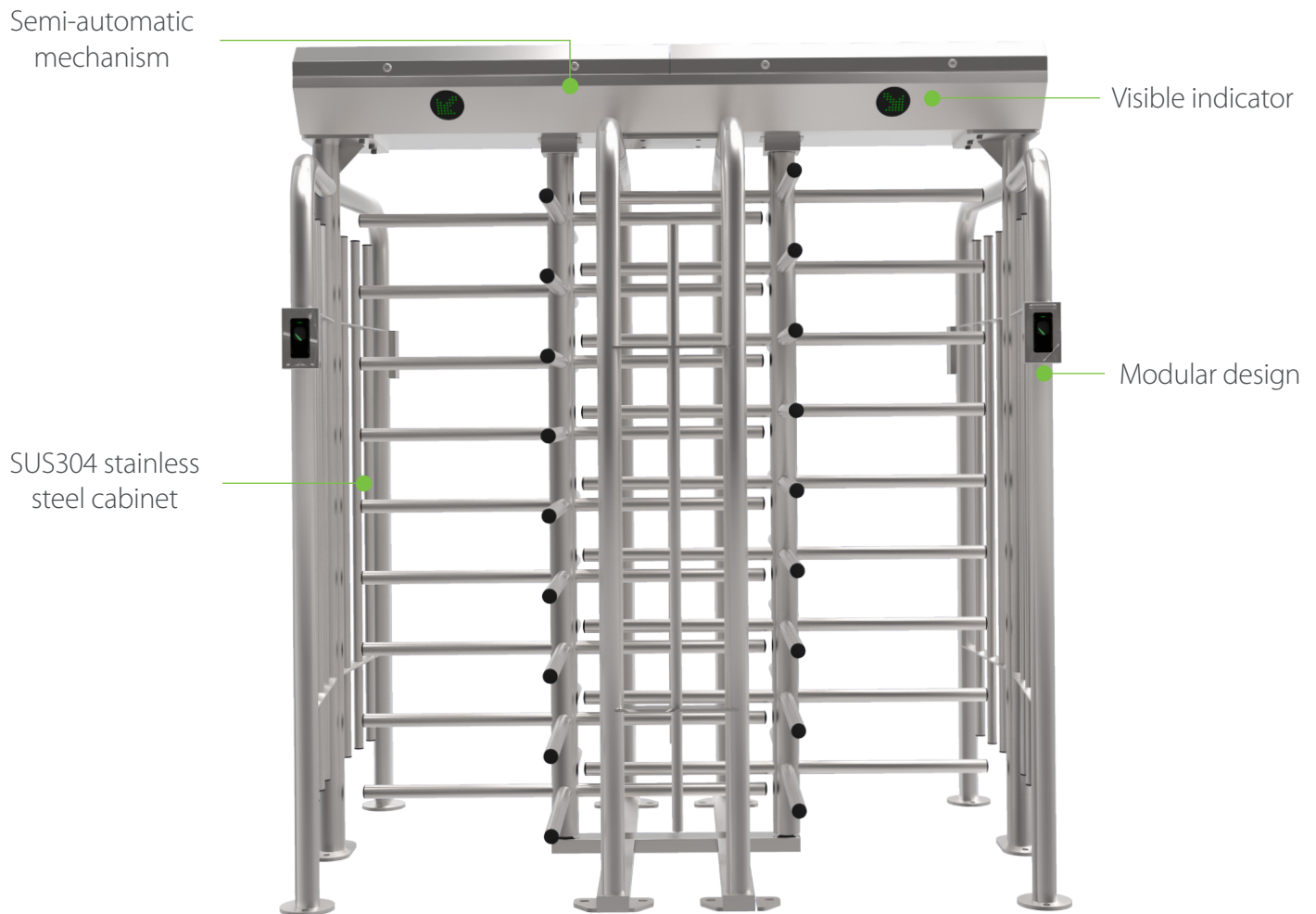


# Biometric Full Height Turnstile

FHT2400D: Full Height Turnstile

FHT2411D: Full Height Turnstile with RFID Access Control System

FHT2422D: Full Height Turnstile with Fingerprint and RFID Access Control System



## Application



Industrial facilities



Corporate security



Government security

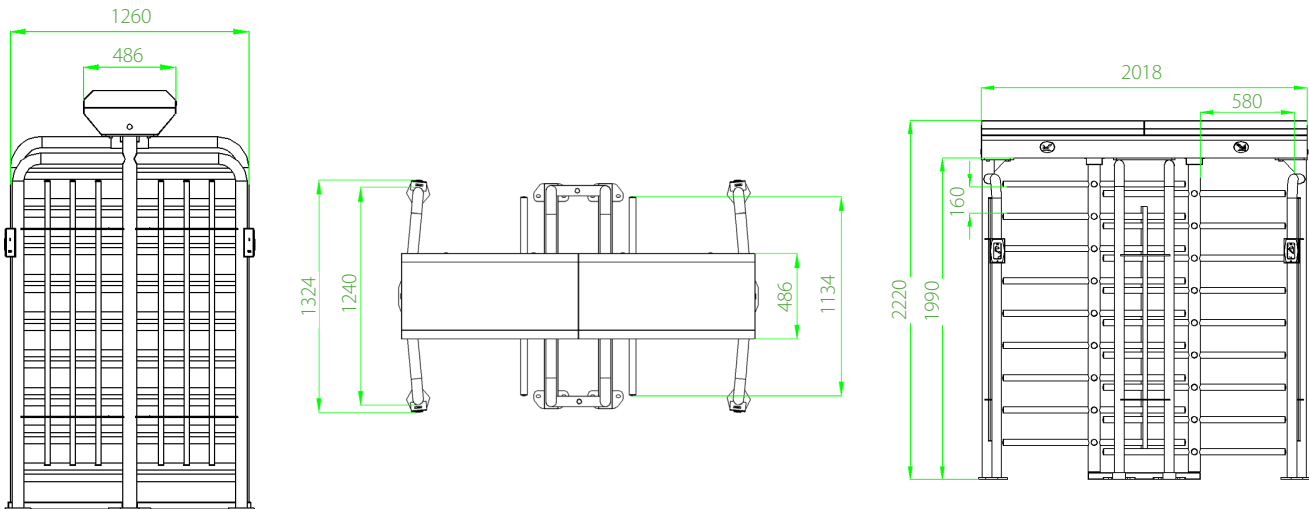


Public transportation

## Specifications

Power requirements	AC110V/220V, 50/60Hz	
Working temperature	-28°C ~ 60°C	
Working humidity	0% ~ 95%	
Working environment	Indoor/ Outdoor	
Speed of throughput	RFID	Maximum 30/ minute
	Fingerprint	Maximum 25/ minute
	Face	Maximum 15/ minute
	Vein	Maximum 15/ minute
Lane width (mm)	580	
Footprint (mm * mm)	2018 * 1324	
Dimension (mm)	L=2018 W=1324 H=2220	
LED indicator	Y	
Cabinet material	SUS304 Stainless Steel	
Barrier material	SUS304 Stainless Steel	
Barrier movement	Rotating	
Emergency mode	Y	
Security level	High	
MCBF	2 million	
Ingress protection	IP54	

## Dimensions (mm)



More details

ZKTECO CO.,LTD.  
E-mail: sales@zkteco.com  
www.zkteco.com

© Copyright 2018, ZKTECO CO., LTD. ZKTECO Logo is a registered trademark of ZKTECO CO., LTD. or a related company. All other products and company names mentioned are used for identification purposes only and may be the trademarks of their respective owners. All specifications are subject to change without notice. All rights reserved.

